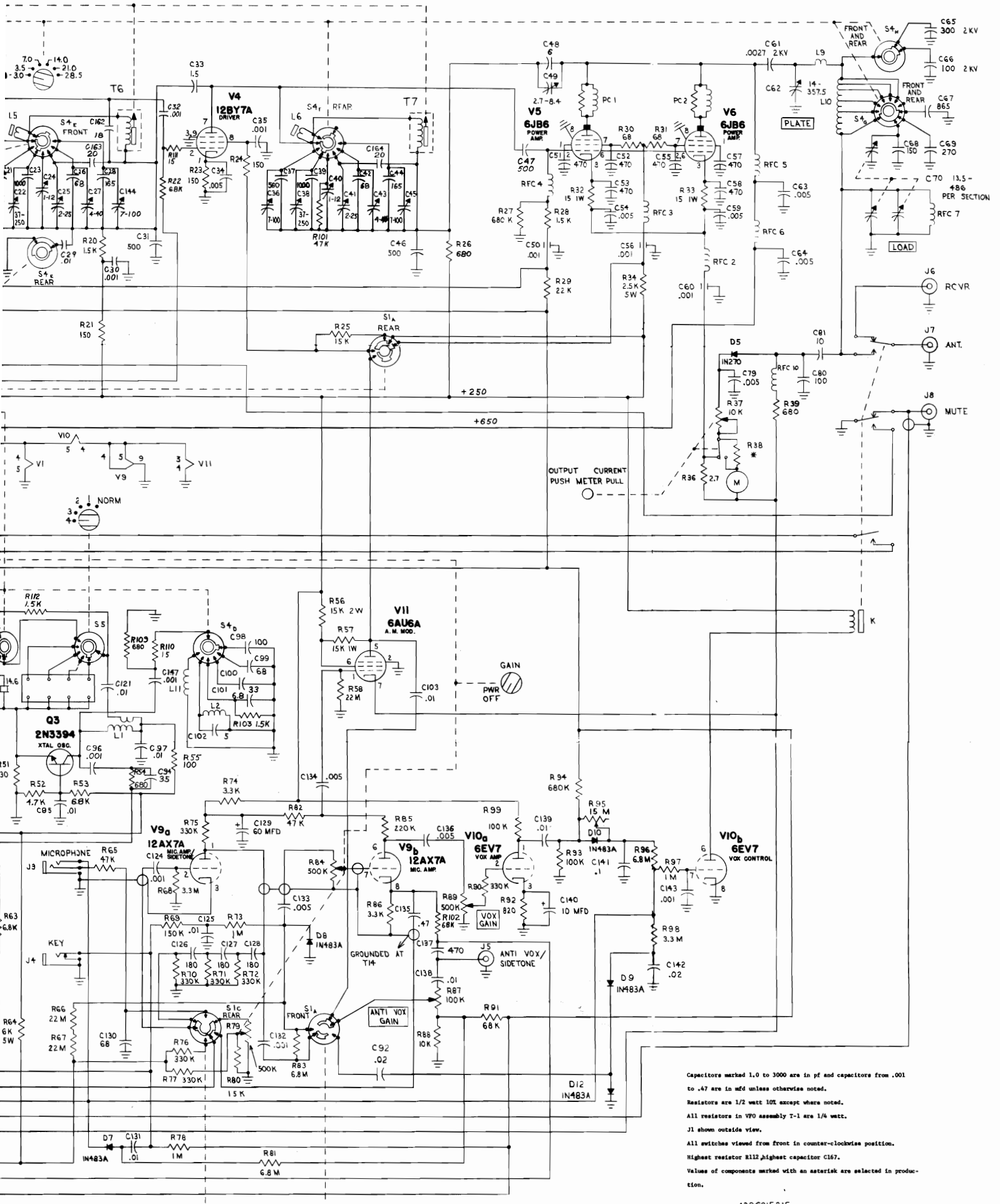


SCHMATIC DIAGRAM MODEL T-4XB



Capacitors marked 1.0 to 3000 are in pf and capacitors from .001 to .47 are in mfd unless otherwise noted.

Resistors are 1/2 watt 10% except where noted.

All resistors in VPO assembly I-1 are 1/4 watt.

J1 shown outside view.

All switches viewed from front in counter-clockwise position.

Highest resistor R112, highest capacitor C167.

Values of components marked with an asterisk are selected in production.